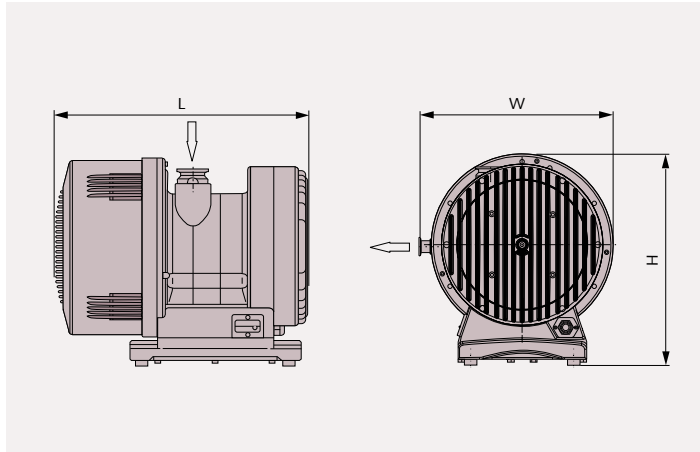


Fossa

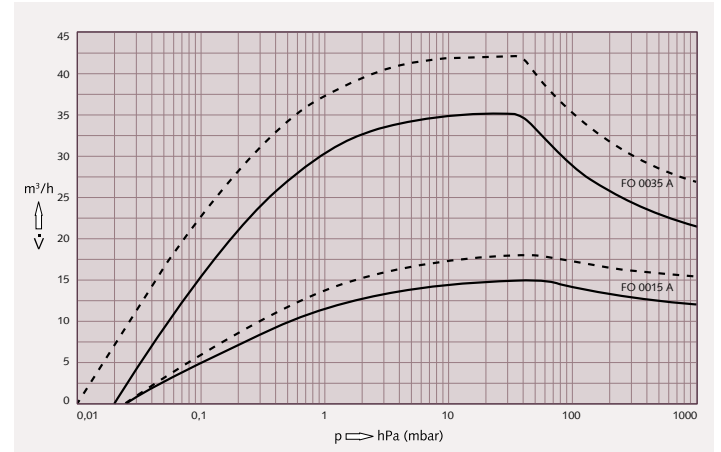
Scroll Vacuum Pumps FO 0015/0035 A



Fossa 0015/0035 A



Pumping speed Air at 20 °C. Tolerance: ± 10% — 50 Hz - - - - 60 Hz



Technical data			FO 0015 A	FO 0035 A
Pumping speed	50 Hz / 60 Hz*	m ³ /h	15 / 18	35 / 42
Pumping speed	50 Hz / 60 Hz*	l/min	250 / 300	583 / 700
Ultimate total pressure	Gas-ballast valve closed	hPa (mbar)	0.025	0.01**
Ultimate total pressure	Gas-ballast valve open	hPa (mbar)	0.09	
Max. continuous inlet pressure		hPa (mbar)	1000	100
Max. back pressure		hPa (mbar) rel.	500	200
Water vapour capacity	Gas-ballast valve open	g/h	300	400
Leak rate, helium		mbar · L · s ⁻¹	< 1 · 10 ⁻⁶	

Motor data				
Nominal motor rating		kW	0.4	0.75
Operating voltage	Single-phase***	V	100–240 (50/60 Hz)	
	Three-phase	V	190–220 / 380–415 (50 Hz) 200–240 / 380–480 (60 Hz)	

Physical data				
Ambient temperature		°C	5–40	
Vibration level at inlet (ISO 10816-1)		mm · s ⁻¹	Class 1B, < 1.5 mm/sec	
Noise level (ISO 2151)	Idle speed***	dB(A)	42	43
	Max.	dB(A)	59	60
Weight approx.		kg	48	50
Dimensions (L x W x H)		mm	450 x 338 x 369	462 x 338 x 369
Gas inlet / outlet			NW 40 / NW 16	

Applicable standards				
Emissions and immunity			EN 61236-1:2013 as a Class A device	
Safety			EN/IEC 61010 third edition certified	

*normal/boost **0.025 guaranteed when new from factory ***frequency converter driven version only

www.buschvacuum.com

Argentina Australia Austria Bangladesh Belgium Brazil Canada Chile China Colombia Czech Republic Denmark Finland France Germany Hungary India Ireland Israel Italy Japan Korea Malaysia Mexico Netherlands New Zealand Norway Peru Poland Portugal Romania Russia Singapore South Africa Spain Sweden Switzerland Taiwan Thailand Turkey United Arab Emirates United Kingdom USA

Technical data is subject to change. Created in Germany. MG PL FOSSAFO00150035A Len 12/2018 9AA

Fossa

Scroll Vacuum Pumps FO 0015/0035 A



Article numbers, Busch Genuine Accessories and Spare Parts		FO 0015 A	FO 0035 A
Frequency converter driven single-phase version, automatic protection			
100–240 V (50/60 Hz)	1271203264	1271203265	
Three-phase version, no motor protection			
190–240 V / 380–480 V (50/60 Hz)	1271557872	1271564068	
Inlet accessories*			
Inlet filter FIL 0080	0530566434		
Spare polyester filter element for FIL 0080	0532121862		
Special purpose filter element for FIL 0080	on request		
Outlet accessories**			
Exhaust filter and silencer	0562566435		
Spare filter element	0532566436		
Other accessories			
Wheels	0999569268		
Purge kit	0916566457		
Vibration isolation kit	included		
Gas-ballast valve	0540559847		
Maintenance kits			
Tip seal replacement kit	0992205441	0992205442	
Cord sets			
	on request		

* All filters include housing, polyester filter element and mounting hardware
** The exhaust filter includes housing and filter element